

SPECIFICATION

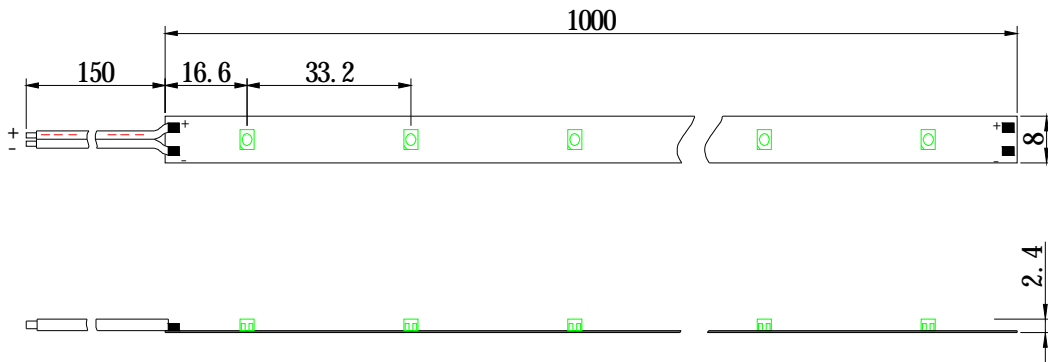
ITEM NO.: TF-30-W-3528-N



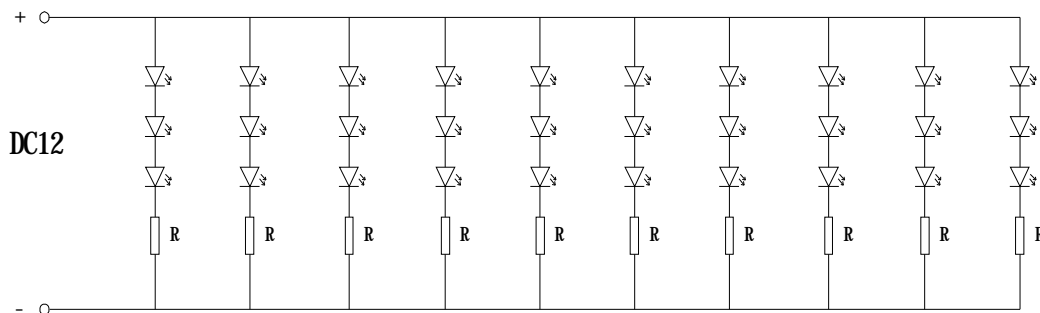
LED STRIP LIGHT

EDITED BY	REVISED BY	CONFIRMED BY	APPROVED BY

A. PHOTO AND DIMENSION (MM)



Units: Millimeters



This picture is Not-waterproof (Crystal waterproof and Tube waterproof available)

B. PARAMETERS

- ☀ LED Qty: 30PCS LED per 1 Meter
- ☀ Working Voltage: DC12 V;
- ☀ Working Current: 170-190mA;
- ☀ LED View Angle: 120 degree;
- ☀ Package: 5 meters / roll;

Parameter	Symbol	Maximum Rating	Unit
Forward Current	IF	200	mA
Power Consumption	PD	2.4	W
Electrostatic discharge	ESD	800	V
Operating Temperature	Topr	-25 ~ +60	°C
Storage Temperature	Tstg	-40 ~ +80	°C

Maximum Rating at TA=25° C (Length @ 1 meter):

Electrical / optical Characteristics at TA=25°C (Length @ 1 meter):

Item Number	Color	LED Qty	LED Work Current	Wave Length	LED Luminous Flux	Package
TF-30-R-3528-N	RED	30 pcs/m	170-190mA	625-630nm	60-80Lm	5meters/ roll
TF-30-Y-3528-N	YELLOW	30 pcs/m	170-190mA	590-595nm	60-80Lm	
TF-30-B-3528-N	BLUE	30 pcs/m	170-190mA	465-470nm	50-70Lm	
TF-30-G-3528-N	GREEN	30 pcs/m	170-190mA	515-520nm	120-180Lm	
TF-30-W-3528-N	White	30 pcs/m	170-190mA	6000-7000k	150-180Lm	
TF-30-CW-3528-N	Cool White	30 pcs/m	170-190mA	8000-9000k	150-180Lm	
TF-30-WW-3528-N	Warm White	30 pcs/m	170-190mA	2900-3200k	120-160Lm	

☀ Notes: Tolerance of measurement of luminous intensity±15%.

Both of waterproof and un-waterproof ones are available, more details please contact with sales@theledlight.com.cn

C. USE MANUAL

- ☀ Please read this specification first to make sure the using condition is suitable for use.
- ☀ Please shut off the switch before connect this products to power, then turn on.

D. WORKING PHOTO

