

# SPECIFICATION

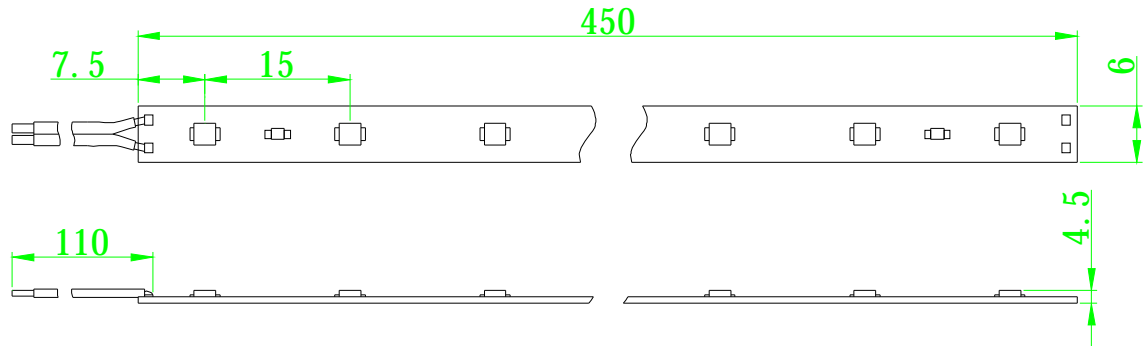
**ITEM NO.: TR-30-W-5050-N**



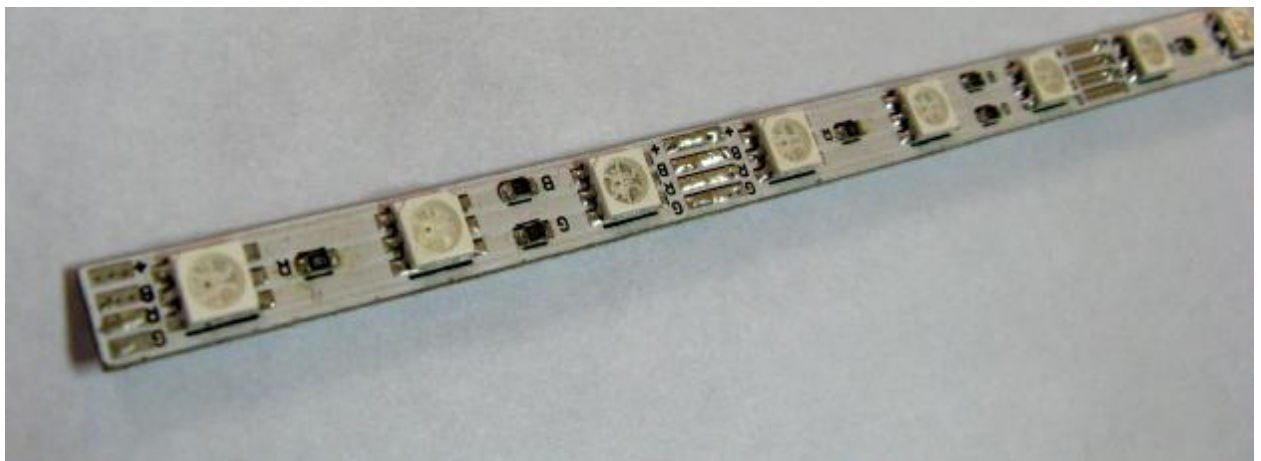
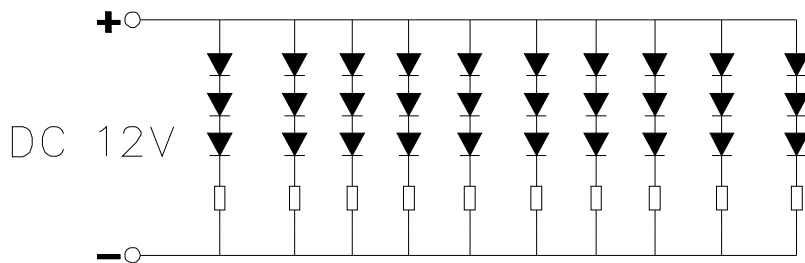
# LED BAR LIGHT

EDITED BY	REVISED BY	CONFIRMED BY	APPROVED BY

A. PHOTO AND DIMENSION (MM)



Unit mm



## B. PARAMETERS

- ☀ LED Qty: 30PCS super flux 5050 LEDs per 0.45 Meter
- ☀ Working Voltage: DC12 V;
- ☀ Working Current: 550-650mA;
- ☀ LED View Angle: 120 degree;
- ☀ Waterproof Grade: not-waterproof;

**Maximum Rating at TA=25° C (Length @ 0.45 meter):**

Parameter	Symbol	Maximum Rating	Unit
Forward Current	IF	700	mA
Power Consumption	PD	8.4	W
Electrostatic discharge	ESD	800	V
Operating Temperature	Topr	-25 ~ +40	°C
Storage Temperature	Tstg	-40 ~ +80	°C

**Electrical / optical Characteristics at TA=25° C (Length @ 0.45 meter):**

Item Number	Color	LED Qty	LED Work Current	Wave Length	LED Luminous Flux	Package
TR-30-R-5050-N	RED	30 pcs	550-650mA	625-630nm	130-180Lm	0.45meters/pcs
TR-30-Y-5050-N	YELLOW	30 pcs	550-650mA	590-595nm	130-180Lm	
TR-30-B-5050-N	BLUE	30 pcs	550-650mA	465-470nm	100-150Lm	
TR-30-G-5050-N	GREEN	30 pcs	550-650mA	515-520nm	250-300Lm	
TR-30-W-5050-N	White	30 pcs	550-650mA	6000-7000k	280-360Lm	
TR-30-CW-5050-N	Cool White	30 pcs	550-650mA	8000-9000k	280-360Lm	
TR-30-WW-5050-N	Warm White	30 pcs	550-650mA	2900-3200k	250-320Lm	

## C. USE MANUAL

- ☀ Notes: Tolerance of measurement of luminous intensity±15%.
- ☀ Please read this specification first to make sure the using condition is suitable for use.
- ☀ Please shut off the switch before connect this products to power, then turn on.
- ☀ Please make sure the strip work under/within the parameter as the form above.
- ☀ Please note the effect of the possible static while installing and using, and avoid to thrust the LED or silicon tube.
- ☀ Make sure it far away from the strong acid or alkali material, nor the fire.